

MESW-LED

Construction:

- Steel Housing and chassis
- Diffuser UV-stabilized, high impact resistant, DR acrylic

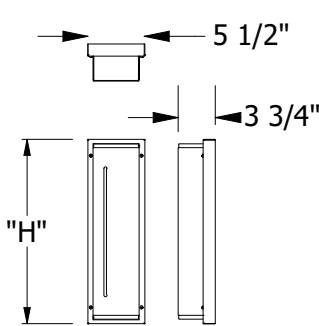
Light Source:

- LED
- Dimming to 10% **Included**

Notes:

- Integral mounting plate; Hardware include
- Mounts on a Standard J-Box
- Top and Bottom Lens
- Optional battery backup available on fixtures 526 & larger
- Optional photocell (21) increases fixture depth 1/2"
- UL and CUL listed **WET** location
 - Build America, Buy America Act Compliant
 - CRI > 90
 - Universal 120/277 volt standard
 - 5-Year Warranty on LED Components

Type:	
Job Name:	



	DIM 'H'	Mount-Center
MESW-513	13"	6.5"
MESW-518	18"	9"
MESW-526	26"	13"
MESW-538	38"	19"
MESW-550	50"	25"



ORDERING INFORMATION

Example: MESW-526-LED-O2C-3-Z3-WSA

MESW

Size	LED					Kelvin	Cage	Finish	Diffuser	Options
		Watts	Source Lumens	Dimming	Energy Star					
						2 3000K		B1 Satin Black	WSA White Smooth Acrylic	DIM LED dimming driver (0 - 10v) Dimming to 10% (Included)
						3 3500K	Z1 Satin Bronze			
						4 4000K	Z3 Text Bronze	W1 Yolk		21 Photocell - Specify voltage 01 - 120 volt 02 - 277 volt
513-LED	O1B	8	1000	0-10v	NO		W2 Gloss White			
518-LED	O2A	12	1600	0-10v	NO		W3 Text White			42 All Aluminum Construction
526-LED	O2C	18	2420	0-10v	NO		B2 Text Black			
538-LED	O3C	27	3630	0-10v	NO		T4 Shimmer Gray			
550-LED	O4C	36	4840	0-10v	NO		M13 Anod Silver			
							T6 Pewter			
							W13 Pearl Beige			
							Optional (See Price List)			
							P2 Brushed Alum			Battery Backup Options (MESW-526 and Larger only) BB10 10 Watts (1170lm) for 90-Minutes



28435 Industry Drive., Valencia, California 91355
 800-325-4448 / 661-257-0286 • fax 800-323-2346 / 661-257-0201
 www.lightwayind.com • sales@lightwayind.com

